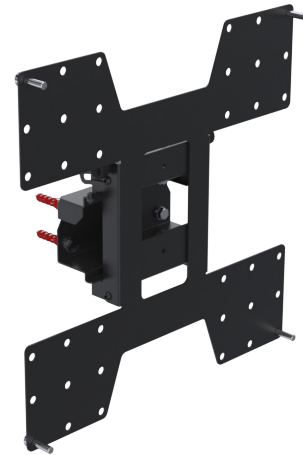


Tilting wall mount for screens up to 65" (VESA 200 to VESA 400)

Transform your space with our Universal Tilting Wall Mount for single screens up to 65". With adjustable tilt for the perfect viewing angles, it's easy to install and compatible with leading digital signage brands.

Features:

- Universal tilting Single screen wall mount for screens up to 65"
- Easy hook-on mounting of screen
- Supports VESA 200x200, 200x300, 200x400, 300x200, 300x300, 300x400, 400x200, 400x300 and 400x400
- Include fixing to secure screen (bottom)
- Quick release plunger can be added for easy installation and maintenance
- Tilt (degrees) Landscape: 0-15° for < 55", 0-10° for 55" and 0-5° for 65" screens
- Tilt (degrees) Portrait: 0-15° for < 43", 0-10° for 43" and 0-5° for 50"- 65" screens



Screen Size
Up to 65"



Max load
80kg

Specifications

Screen size	Up to 65"
VESA Mounting standard	200x200, 200x300, 200x400, 300x200, 300x300, 300x400, 400x200, 400x300, 400x400
Max weight capacity (kg)	80kg
Distance to wall (cm)	8.7
Warranty	5 Years
Unit per box	1
Net Unit weight (kg)	3.23
Gross Unit weight (kg)	3.39
Product colour	Black
Colour Type	Structured, Anti-Microbial
Other colours available	White, Grey
HS code	8473308000
Main Material	Metal
Number of Screens	1
Screen Orientation	Portrait, Landscape
Security Features	Yes - Secure screw

Product Dimensions

Unit Depth (mm):	87
Unit Height (mm):	420
Unit Width (mm):	420

Package Dimensions

Package Depth (mm):	435
Package Height (mm):	90
Package Width (mm):	435